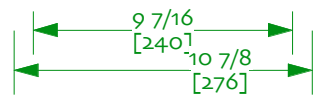
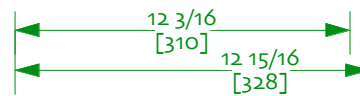
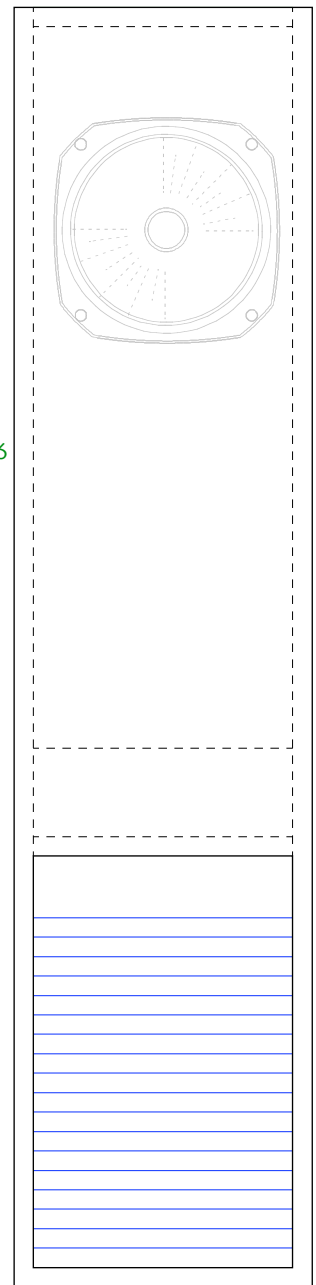
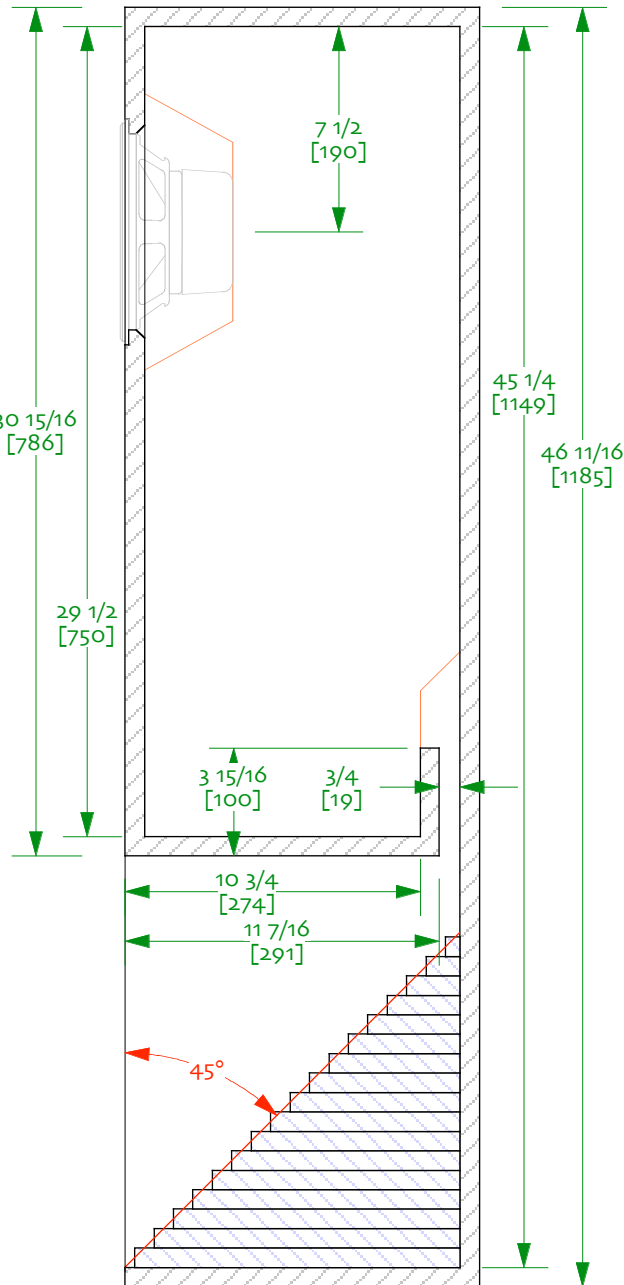
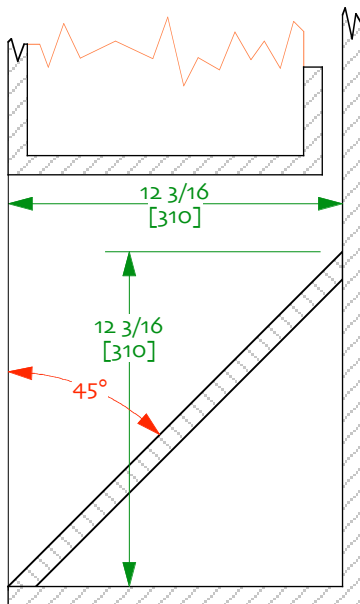
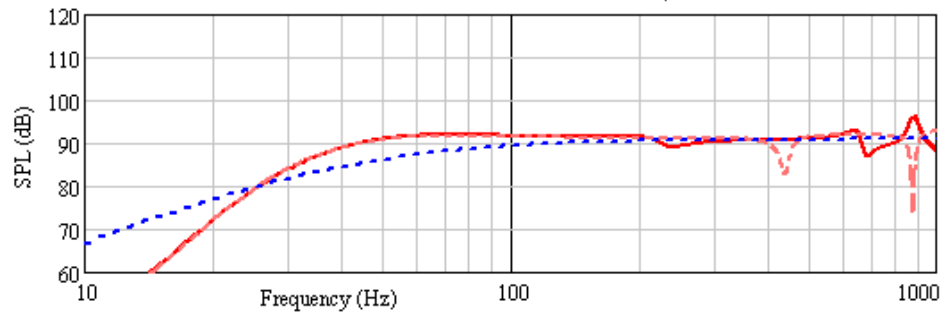
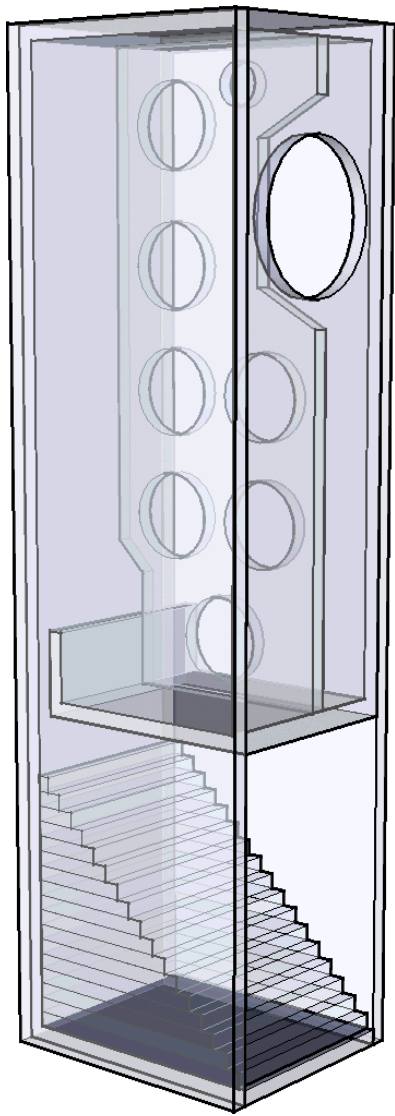


solid curve is driver placed as shown, dotted for driver placed in middle of baffle



Notes:

- 0/ drawn using 18mm material
- 1/ the mouth deflectors can be built using the stepped strips or replaced with a single piece deflector/
- 2/ critical driver brace shown. Additional bracing of the inside of the sides is recommended.
- 3/ damp as you would a bass reflex
- 4/ Can be used with FE206e with the addition of series resistance (4 ohms suggested)



Half-Chang – Descendant of Calhoun –  
 Fostex FE207e / Pioneer B20 / HA FR8c  
 Moose-BVR Horn 1v01  
 Sheet 0 -- panel placement  
 designed by Scott Lindgren  
 drawn by dld  
 05-november-2007 | addendum 16-june-2008